
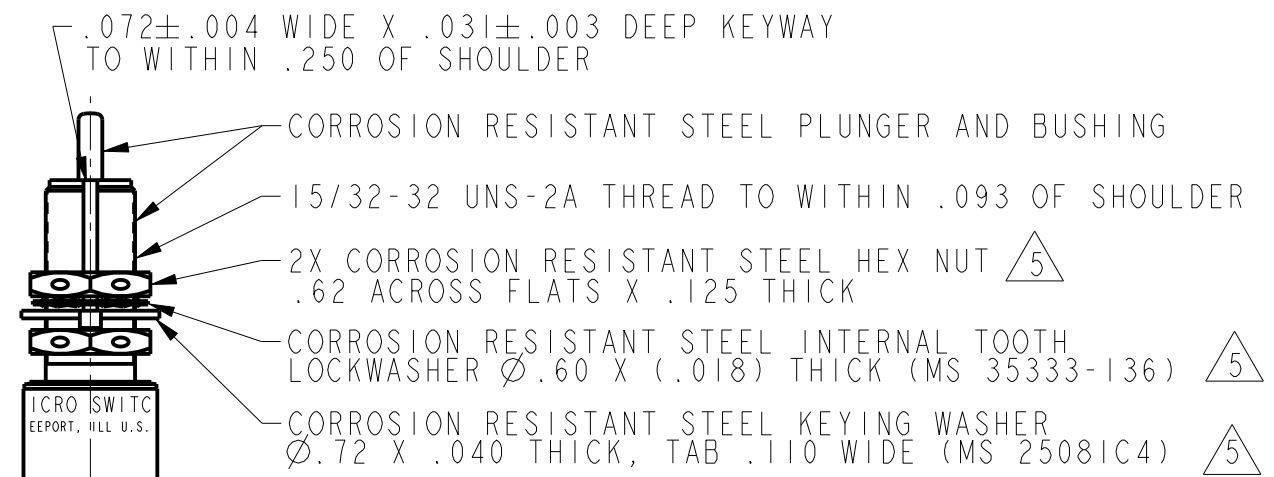
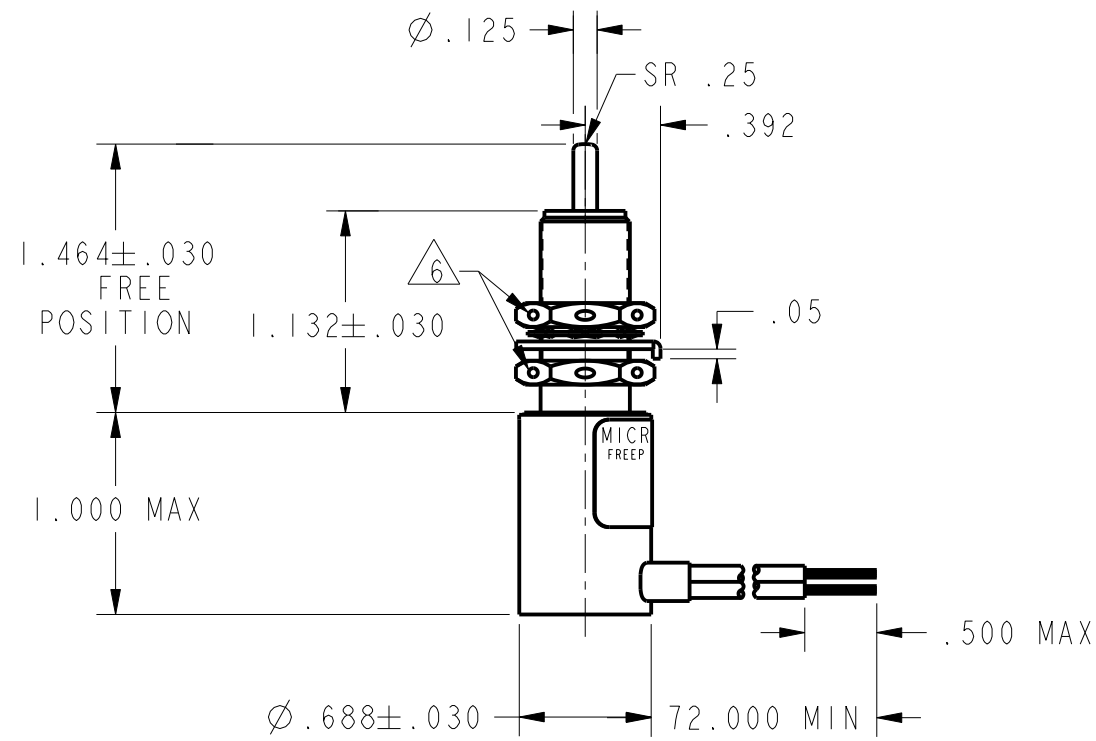
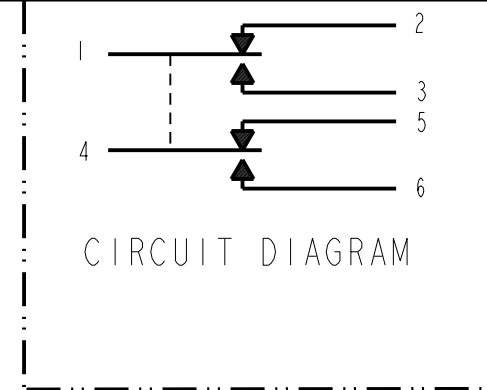
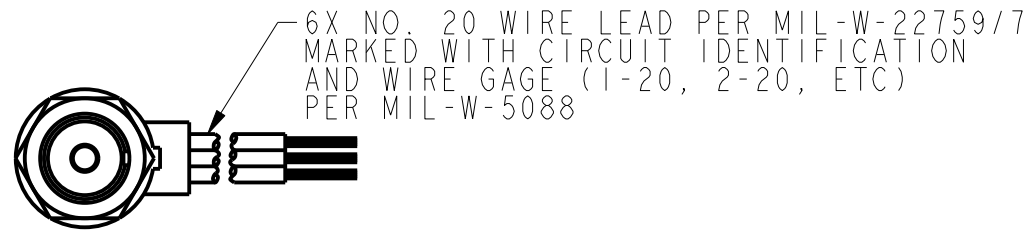


HONEYWELL PART NUMBER
602EN602-6
FAA-PMA 

REV	DOCUMENT	CHANGED BY	CHECK
18	0006861	AS 02AUG04	AK



- NOTES
- CORROSION RESISTANT STEEL ENCLOSURE
 - SWITCH SEALED PER MIL-PRF-8805 SYMBOL 4
 - CIRCUIT DIAGRAM, CATALOG LISTING, DATE CODE, FED MFG CODE AND FAA-PMA ARE SHOWN ON NAMEPLATE
 - COINCIDENCE OF OPERATING AND RELEASING POINTS: .010 OF PLUNGER TRAVEL
 - HARDWARE MAY BE PACKAGED UNASSEMBLED PER MIL-PRF-8805
 - 3X Ø.047 HOLE FOR WIRE LOCKING
 - FOR MANUFACTURING DETAIL SEE ASSEMBLY DRAWING 602EN602-6 FOR FAA-PMA

CHARACTERISTICS
OPERATING FORCE ----- 2-4 LB
FULL OVERTRAVEL FORCE ---- 15 LB MAX
RELEASE FORCE ----- 1 LB MIN
PRETRAVEL ----- .015±.010
DIFFERENTIAL TRAVEL ----- .020 MAX
OVERTRAVEL ----- .250 MIN
FREE POSITION

ELECTRICAL DATA		
CONTACT ARRANGEMENT 2X S P D T		
LOAD	28 VDC	
		SEA LEVEL
RES	7	7
IND	4	2.5
MOTOR	4	
LAMP		

DESIGN UNITS: INCH
TOLERANCES UNLESS NOTED:
NO PLACE X ± 0.400
ONE PLACE .X ± 0.030
TWO PLACE .XX ± 0.015
THREE PLACE .XXX ± 0.005
FOUR PLACE .XXXX ± 0.0005
ANGLES X ± 3
THIRD ANGLE PROJECTION

DRAWN	JLH	01NOV00
CHECK	SAV	01NOV00
THIS DRAWING COVERS A PROPRIETARY ITEM AND IS THE PROPERTY OF HONEYWELL. THIS DRAWING IS NOT TO BE COPIED OR USED WITHOUT THE PERMISSION OF HONEYWELL.		
INTERPRET PER ASME Y14.5M-1994 OTHER HONEYWELL ENGINEERING STANDARDS MAY APPLY		
Pro/ENGINEER	2D	

Honeywell			
TITLE SWITCH-ENCLOSED			
SIZE	TYPE	DRAWING NAME	REV
B	I	602EN602-6	18
SCALE	FULL	WEIGHT 7.1 OZ MAX	SHEET 1 OF 1