

MICRO SWITCH

FREEDPORT, ILLINOIS U.S.A.
A DIVISION OF HONEYWELL

FED. MFG. CODE 91929

SWITCH - ENCLOSED

CATALOG LISTING
41EN1-6

MILITARY STANDARD
MS 24420-1

41EN1-6

M

DRAWING NUMBER

ISSUE 3833 3833637

REVISIONS

| | | | |
|---|-----------|-----------|-----------|
| A | NEW | CO44635 | 14 NOV 78 |
| B | CO47573 | 11 AUG 80 | |
| C | CO49806 | 25 SEP 81 | |
| D | CO57370 | 16 MAY 85 | |
| E | CO59223 | 27 MAR 86 | |
| F | CO75787-C | 11 MAY 94 | |

REPLACES

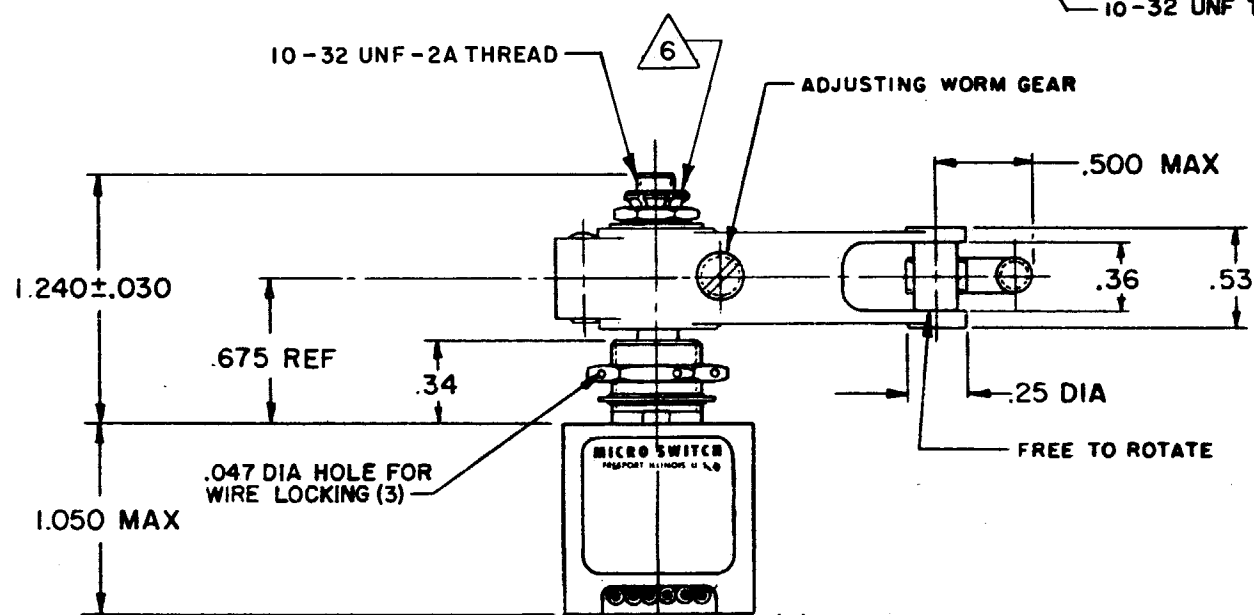
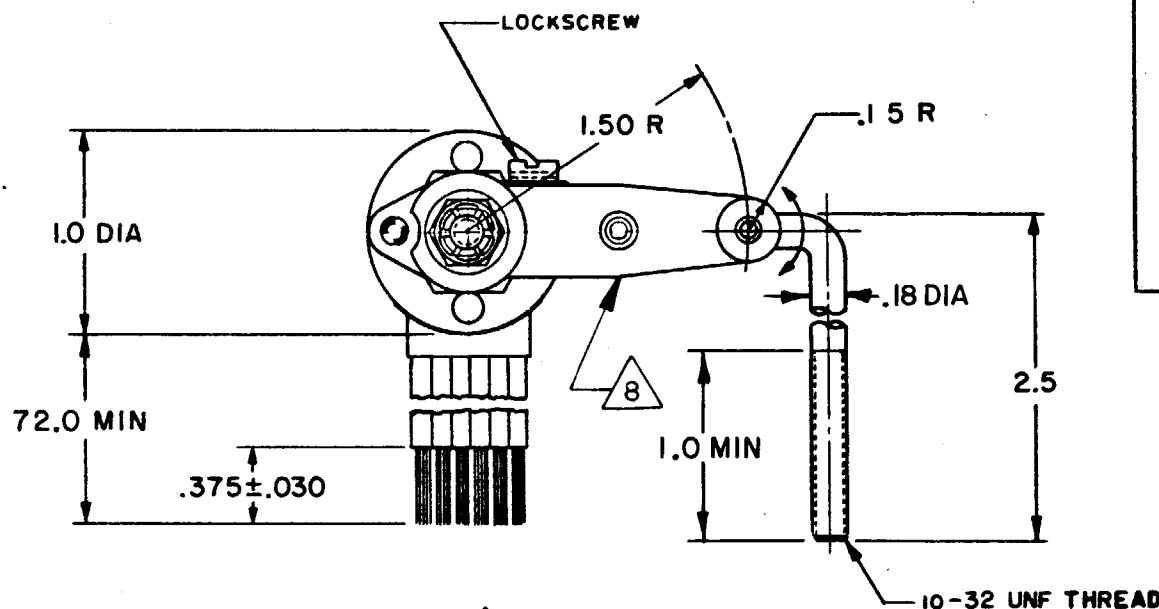
RELEASE NO. SR-4671

CHECK

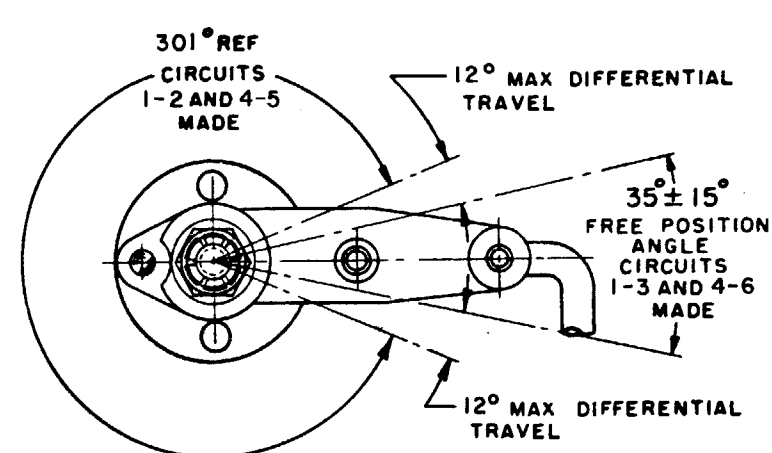
CHECK

CHECK

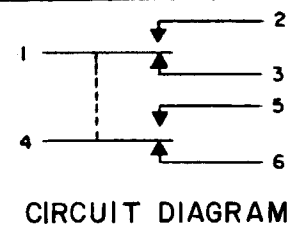
FO-52851-A
DRAWN
TRF 13 NOV 78
GJM 27 NOV 78



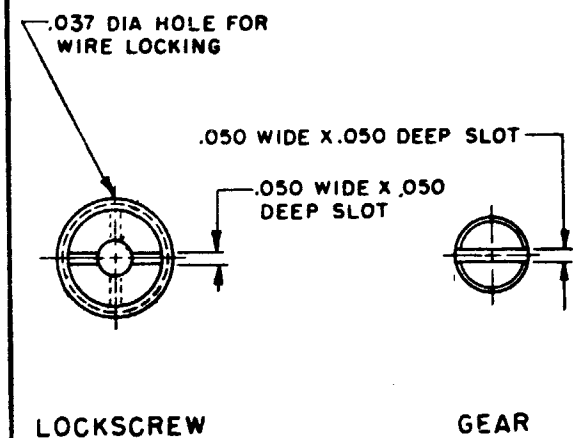
(6) NO. 20 WIRE LEAD PER MIL-W-22759/7 MARKED WITH CIRCUIT IDENTIFICATION AND WIRE GAGE (1-20, 2-20, ETC) PER MIL-W-5088



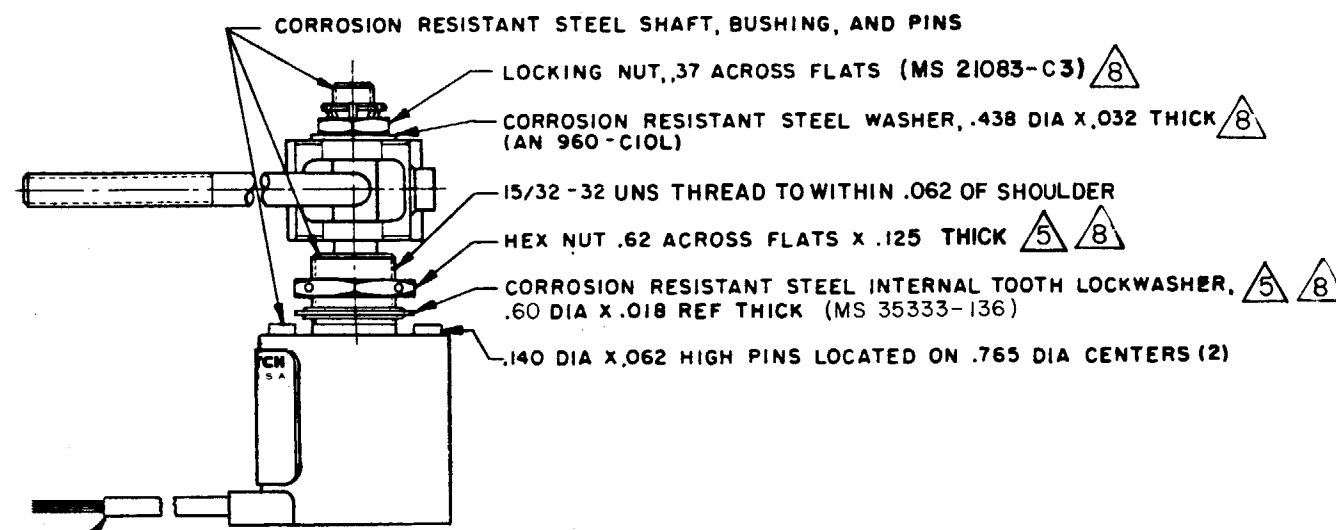
CHARACTERISTICS



CIRCUIT DIAGRAM



LEVER MAY BE ADJUSTED FOR AN INFINITE NUMBER OF POSITIONS THRU 360°. ADJUSTMENT IS MADE BY LOOSENING THE LOCKING NUT AND THEN THE LOCKSCREW AND TURNING GEAR UNTIL LEVER IS IN DESIRED POSITION. LOCKSCREW AND LOCKNUT ON SHAFT IS THEN TIGHTENED TO POSITIVELY LOCK LEVER IN POSITION.
LEVER ADJUSTMENT DETAIL - SCALE 2 TO 1



NOTES

- 1 - CORROSION RESISTANT STEEL ENCLOSURE
- 2 - UNIT PROVIDES NO SHAFT RESTORING TORQUE. THE ACTUATING DEVICE MUST CONTROL MOVEMENT OF THE SHAFT
- 3 - CIRCUIT DIAGRAM, CATALOG LISTING AND MILITARY STANDARD NO. MS 24420-1 ARE SHOWN ON NAMEPLATE
- 4 - SWITCH SEALED PER MIL-S-8805 SYMBOL 4
- 5 REPLACEMENT MOUNTING HARDWARE - PACKET 19PA10
- 6 DO NOT APPLY MORE THAN 20-25 INCH-POUNDS OF TORQUE WHEN TIGHTENING LOCKING NUT
- 7 APPLICATION INFORMATION ONLY
- 8 HARDWARE MAY BE PACKAGED UNASSEMBLED PER MIL-S-8805

THIS DRAWING COVERS A PROPRIETARY ITEM AND IS THE PROPERTY OF MICRO SWITCH, A DIVISION OF HONEYWELL. THIS DRAWING IS NOT TO BE COPIED OR USED WITHOUT THE APPROVAL OF MICRO SWITCH.

THIRD ANGLE PROJECTION

SCALE FULL

DO NOT SCALE PRINT

TOLERANCES
APPLY TO DESIGN UNITS. CONVERSIONS ARE ONLY FOR REFERENCE. UNLESS NOTED, TOLERANCES ARE 2

| DIM. | TOL. | DIM. | TOL. |
|--------------|---------|----------|---------|
| IN | MM/IN | IN | MM/IN |
| NO PLACES | X | 1/04 | X |
| ONE PLACE | X,X | 0.4/018 | X,X |
| TWO PLACES | X,X,X | 0.15/008 | X,X,X |
| THREE PLACES | X,X,X,X | | X,X,X,X |
| ANGLES | | | |

DESIGN UNITS: SI METRIC (), US CUSTOMARY ()
RAW MATERIAL - COMMERCIAL STANDARD
MICRO SWITCH STANDARDS APPLY
DIMENSIONS ARE TO BE MET BEFORE PROTECTIVE COATINGS ARE APPLIED

WEIGHT .52 LB

| CHARACTERISTICS | ELECTRICAL DATA |
|------------------------------------|---------------------------------|
| OPERATING TORQUE ----- 3 IN-LB MAX | CONTACT ARRANGEMENT SPDT (2) |
| PRETRAVEL | LOAD |
| DIFFERENTIAL TRAVEL | 28 VDC |
| OVERTRAVEL | SEA LEVEL 50,000 FT. |
| FREE POSITION | RES 4 4 |
| | IND 3 1 |
| | MOTOR 4 4 |
| | LAMP 2.4 2.4 |

SEE DETAIL