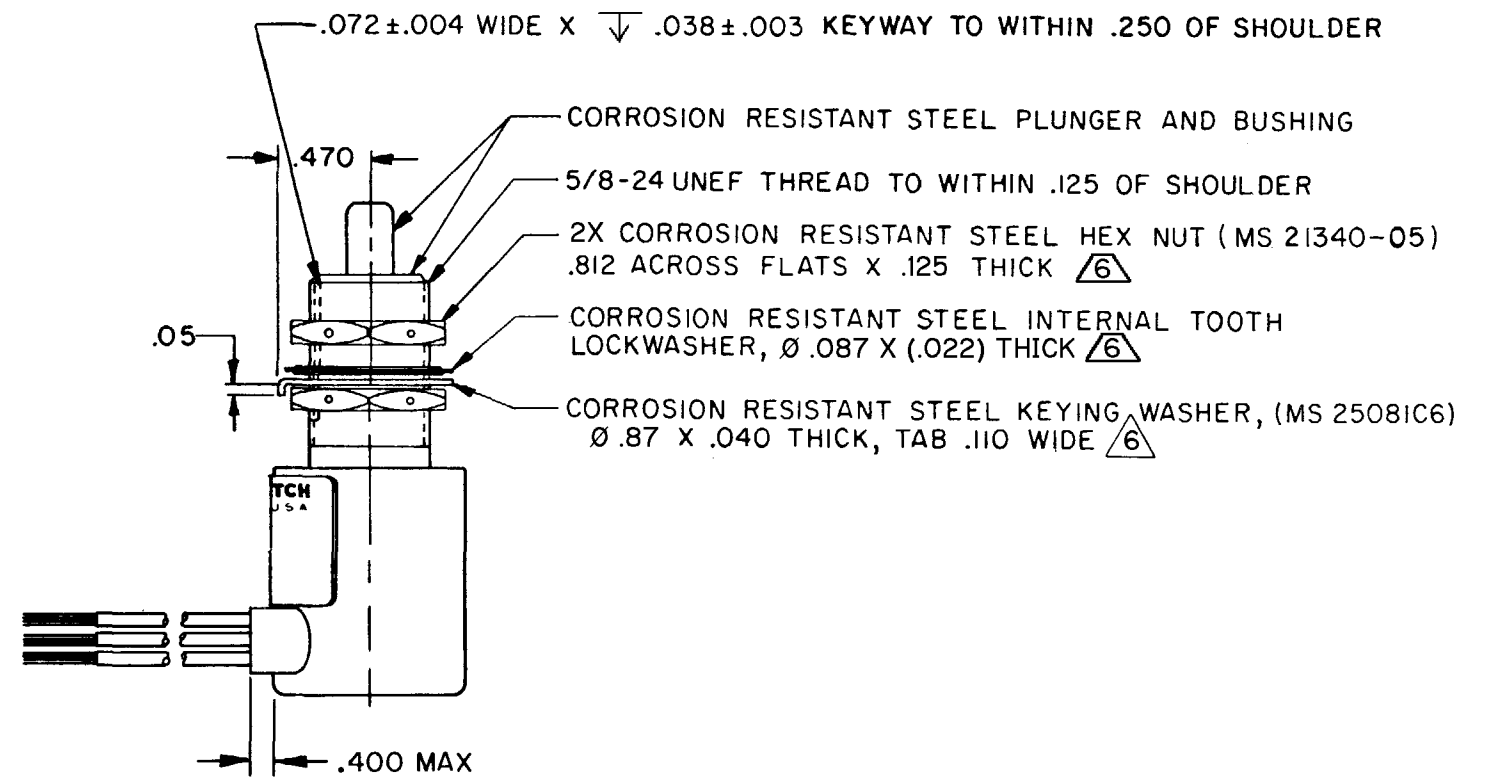
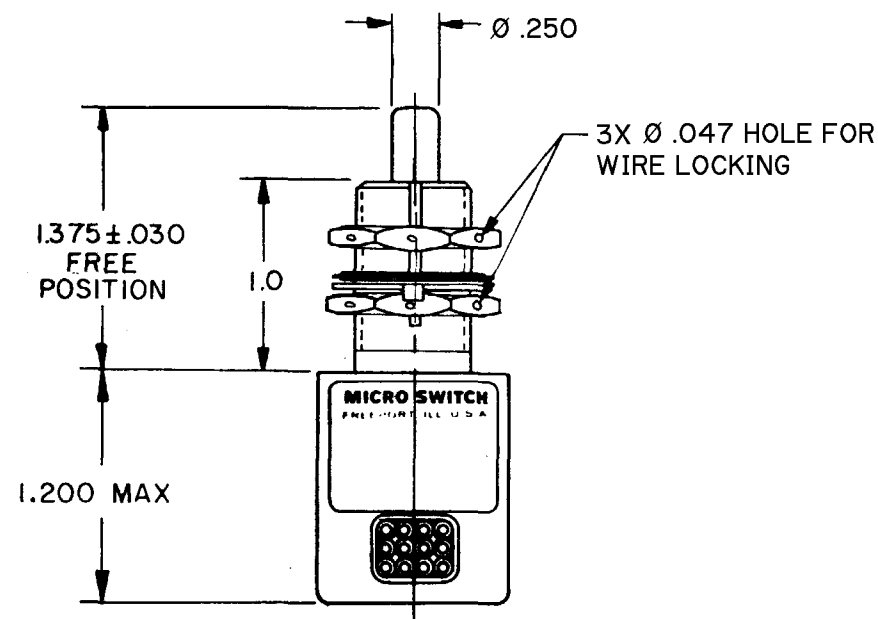
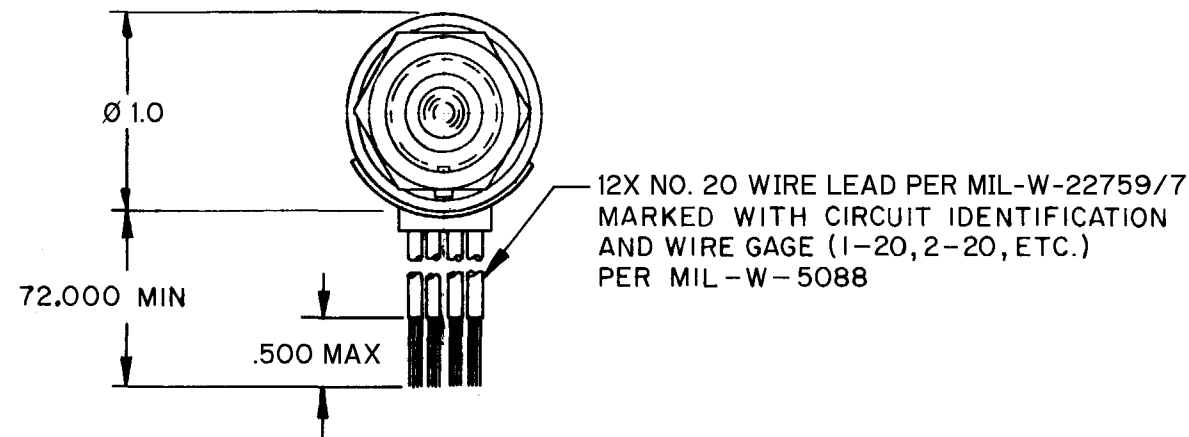
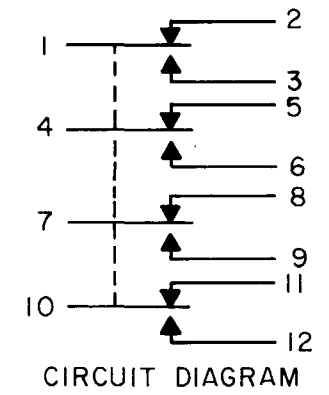


**MICRO SWITCH**  
 FREEPORT ILLINOIS U.S.A.  
 A DIVISION OF HONEYWELL  
 FED. MFG. CODE 91929

**SWITCH-ENCLOSED**

CATALOG LISTING  
**404EN1-6**  
 MILITARY STDS PART NO.  
 MS 21321-2

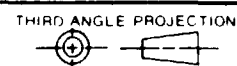


**NOTES**

- 1 - CORROSION RESISTANT STEEL ENCLOSURE
- 2 - SWITCH SEALED PER MIL-PRF-8805 SYMBOL 4
- 3 - CIRCUIT DIAGRAM, CATALOG LISTING, DATE CODE, FED MFG CODE AND MILITARY STD. PART NO. MS 21321-2 ARE SHOWN ON NAMEPLATE
- 4 - COINCIDENCE OF OPERATING AND RELEASING POINTS: .010 OF PLUNGER TRAVEL
- 5 APPLICATION INFORMATION ONLY
- 6 HARDWARE MAY BE PACKAGED UNASSEMBLED PER MIL-PRF-8805

ANSI Y14.5M-1982 APPLIES

THIS DRAWING COVERS A PROPRIETARY ITEM AND IS THE PROPERTY OF MICRO SWITCH, A DIVISION OF HONEYWELL. THIS DRAWING IS NOT TO BE COPIED OR USED WITHOUT THE APPROVAL OF MICRO SWITCH.



SCALE FULL

DO NOT SCALE PRINT

CHARACTERISTICS	
OPERATING FORCE	6-12 LBS
FULL OVERTRAVEL FORCE	30 LBS MAX
RELEASE FORCE	4 LBS MIN
PRETRAVEL	.040 MAX
DIFFERENTIAL TRAVEL	.020 MAX
OVERTRAVEL	.250 MIN

ELECTRICAL DATA		
CONTACT ARRANGEMENT 4X SPDT		
LOAD	28 VDC	
	SEA LEVEL	50,000 FT.
RES	7	7
IND	4	2.5
MOTOR	4	4/5

TOLERANCES			
APPLY TO DESIGN UNITS. CONVERSIONS ARE ONLY FOR REFERENCE. UNLESS NOTED, TOLERANCES ARE:			
DIM.	TOL.	DIM.	TOL.
mm	mm/in	in	mm/in
NO PLACES	X	1/64	
ONE PLACE	X,X	0.01/0.16	X,X 0.01/0.03
TWO PLACES	X,XX	0.15/0.005	X,XX 0.38/0.015
THREE PLACES	X,XXX		X,XXX 0.15/0.003
ANGLES			

DESIGN UNITS  
 SI METRIC  
 US CUSTOMARY

PAR MATERIAL-COMMERCIAL STANDARD  
 MICRO SWITCH STANDARDS APPLY  
 DIMENSIONS ARE TO BE MET BEFORE  
 PROTECTIVE COATINGS ARE APPLIED

WEIGHT .80 LB MAX

404EN1-6  
 PAGE 1 OF 1

M

DRAWING NUMBER

ISSUE 23

CHECK

REVISIONS

A 0044351  
 J A P  
 24 SEPT 79

B 0046777  
 J A P  
 12 NOV 79

C 0051080  
 D J W  
 26 AUG 82

D 0057370  
 TSK  
 15 MAY 85

E 0073915  
 S A V  
 30 OCT 92

F 75787-C  
 D A W  
 16 MAY 94

G 0094252  
 WJC  
 26 FEB 99

H 0013209  
 TSG  
 01 JUN 05

C E B

RASTER  
 FO-52851-A  
 DRAWN

REPLACES  
 RELEASE NO. SR-8831  
 01 JUN 05  
 AK  
 28 SEPT 79  
 24 SEPT 79